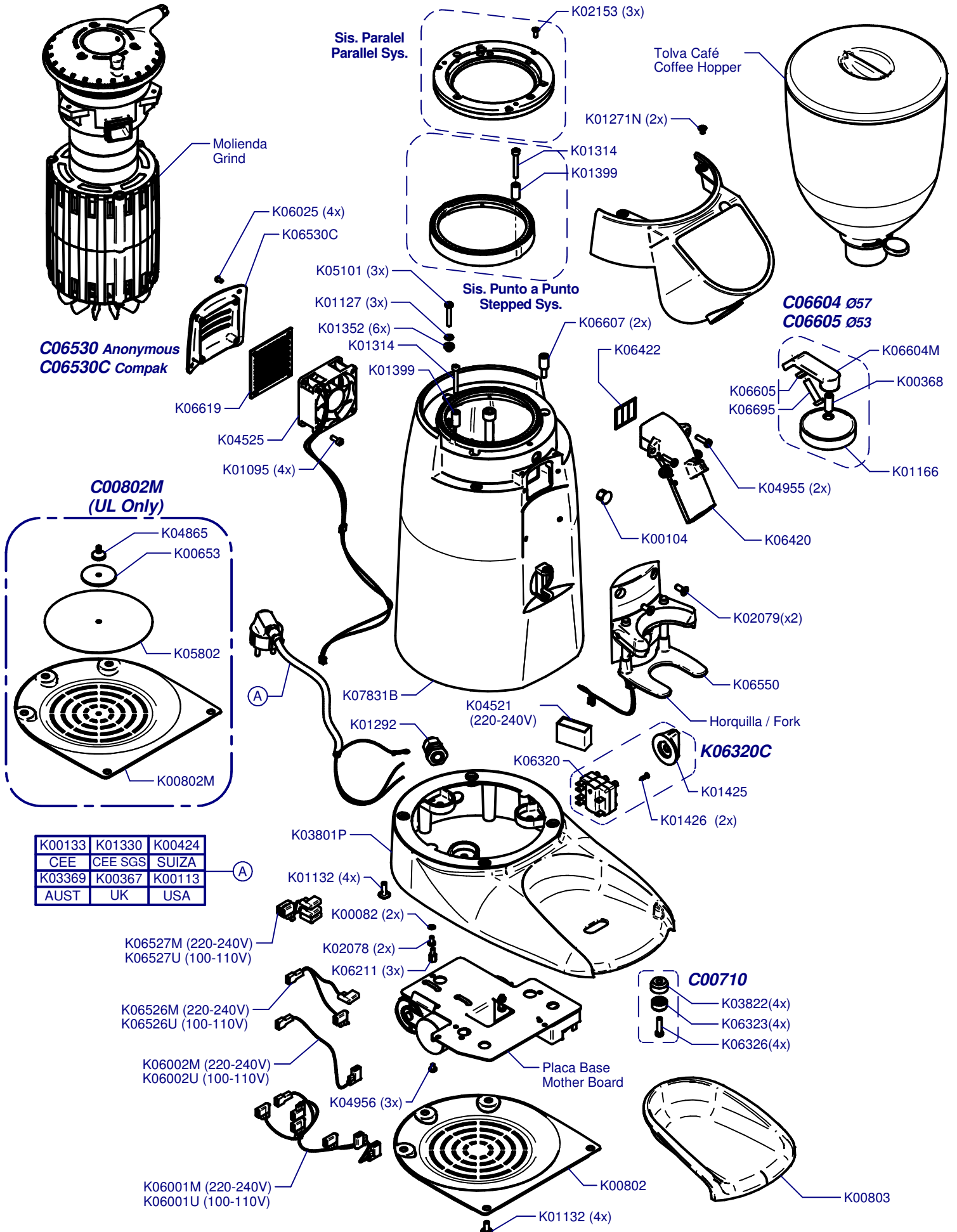
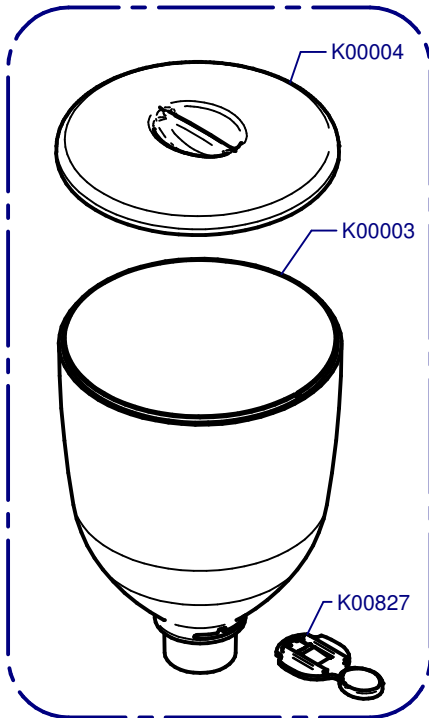


E10 Essential Master Conic On Demand

Updated 15/11/2018



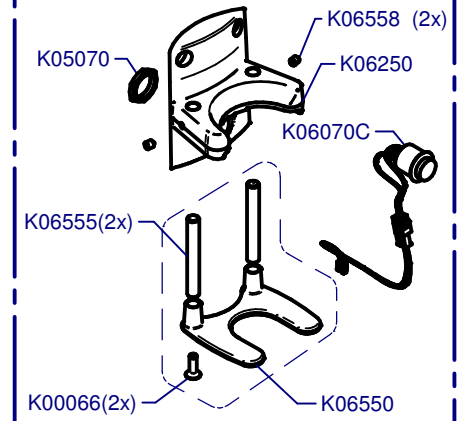
Tolva Café / Coffee Hopper



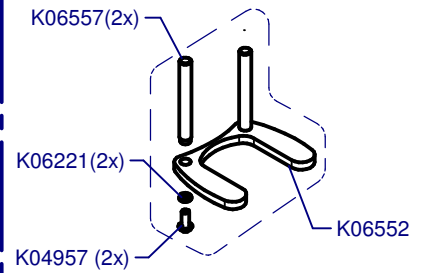
K01358

Horquilla / Fork

C06250 Standar
C06250C Marzocco

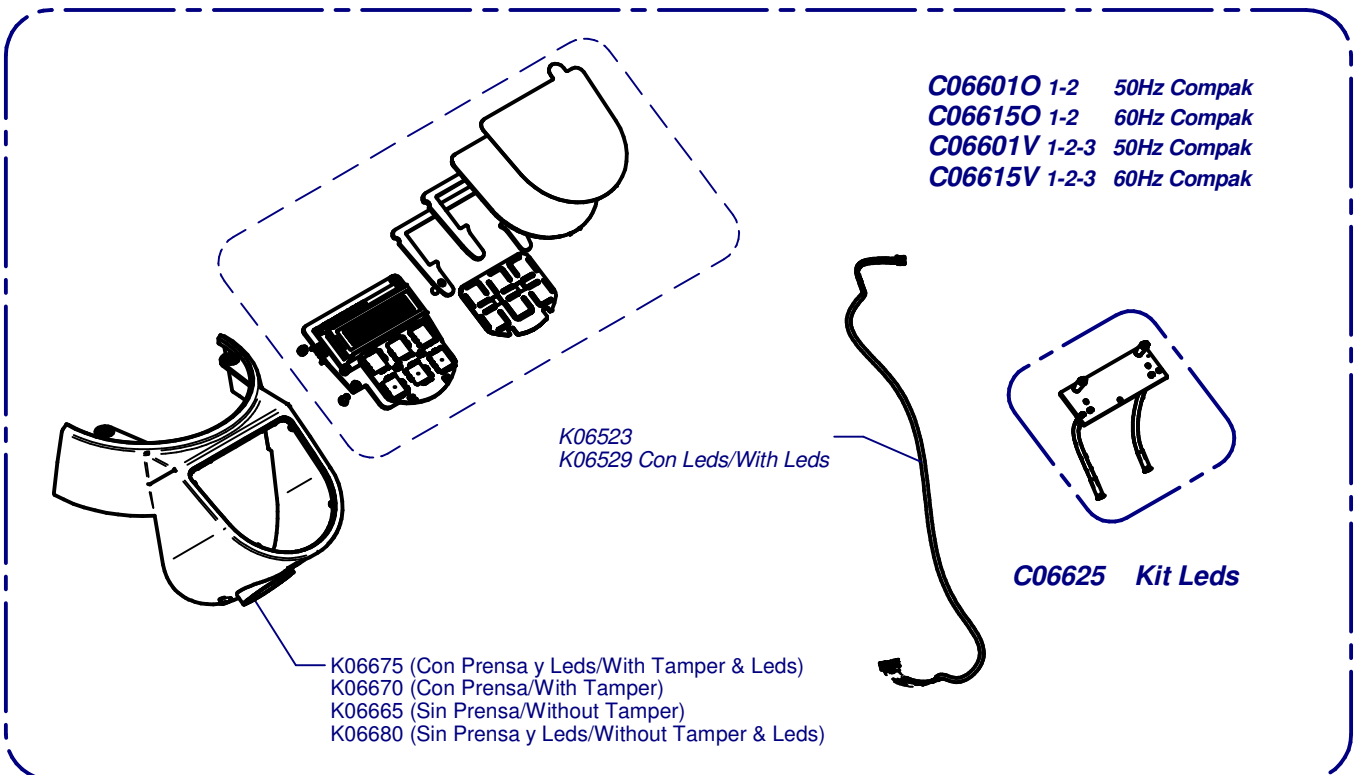


C06550 Standar



K06552C Marzocco

Cover / Cover



C06601O 1-2 50Hz Compak
C06615O 1-2 60Hz Compak
C06601V 1-2-3 50Hz Compak
C06615V 1-2-3 60Hz Compak

K06523
K06529 Con Leds/With Leds

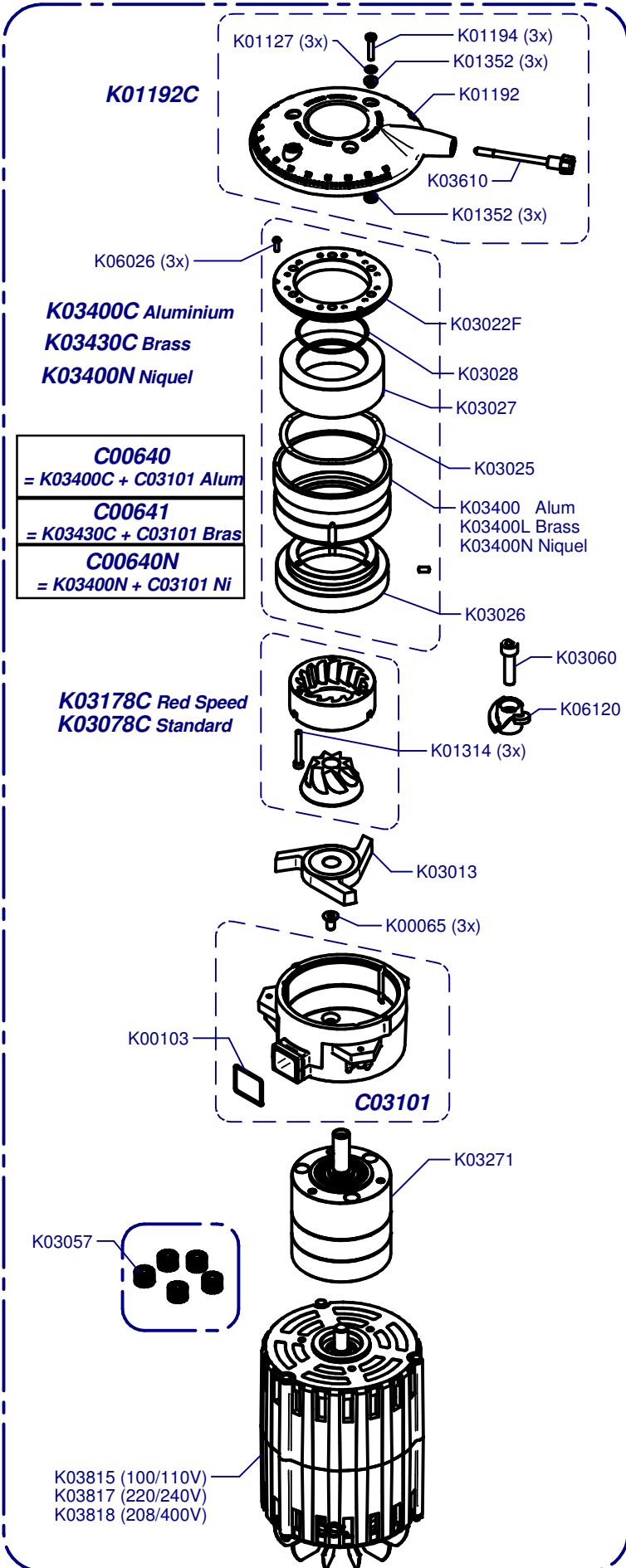
K06675 (Con Prensa y Leds/With Tamper & Leds)
K06670 (Con Prensa/With Tamper)
K06665 (Sin Prensa/Without Tamper)
K06680 (Sin Prensa y Leds/Without Tamper & Leds)

C06625 Kit Leds

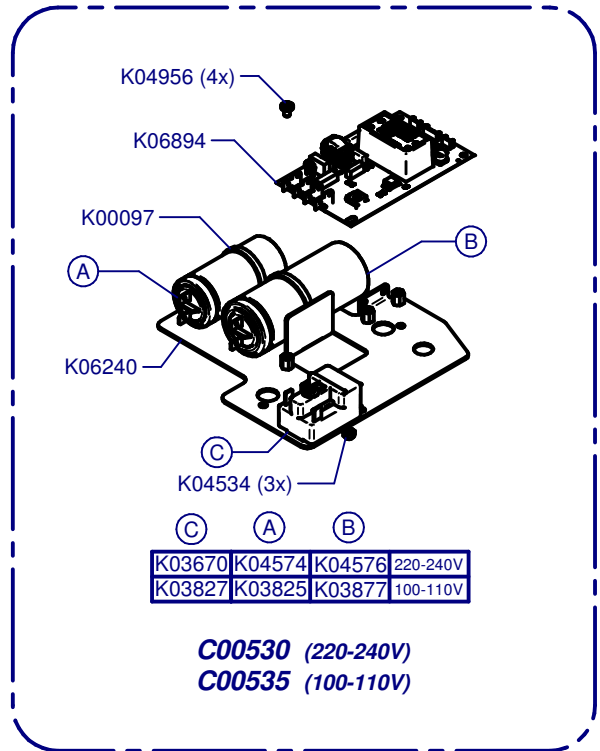
E10 Essential Master Conic On Demand

Updated 15/11/2018

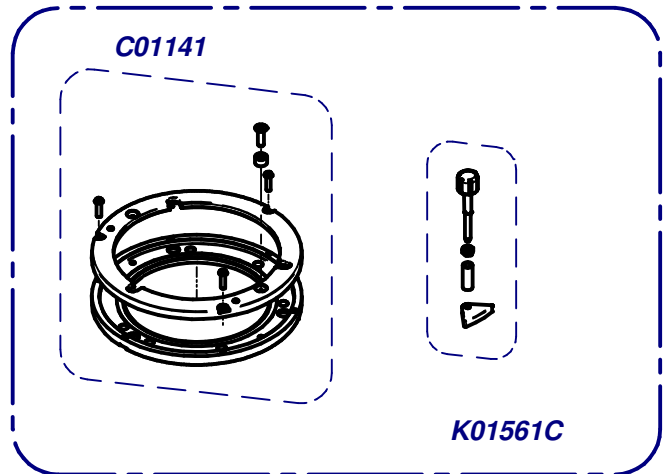
Molienda / Grind



Placa Base / Mother Board



Sis. Paralel / Parallel Sys.



Sis. Punto a Punto / Stepped Sys.

