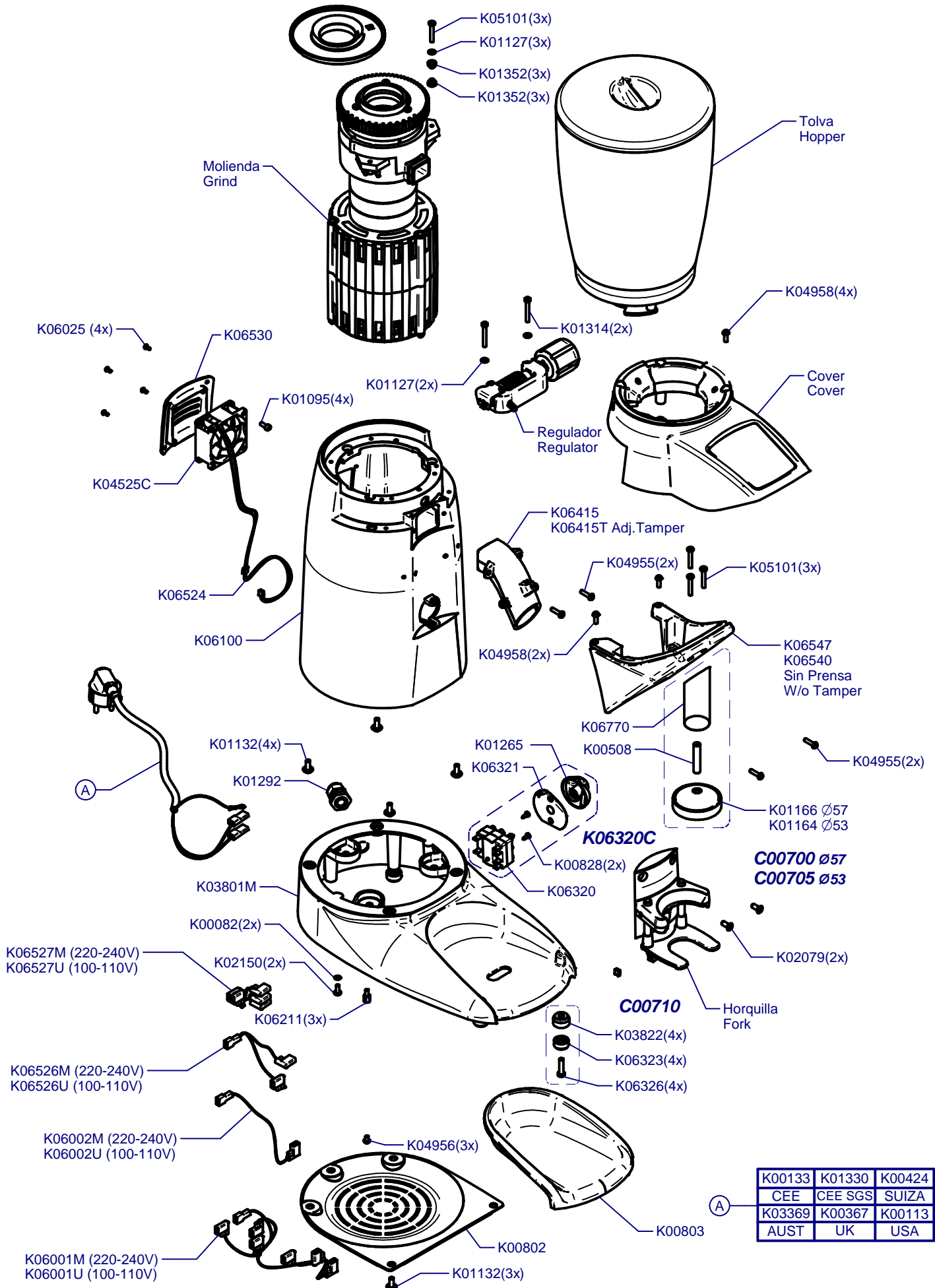


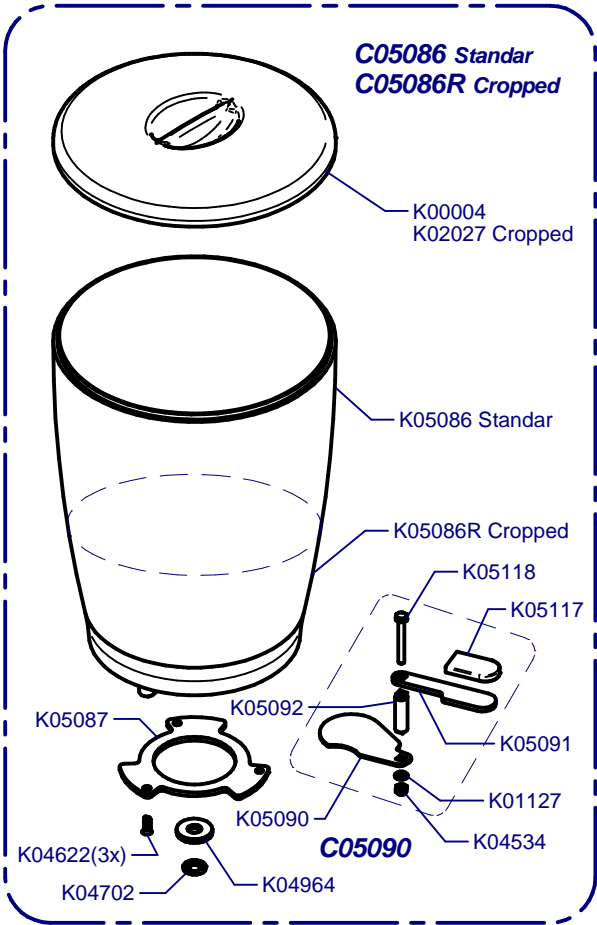
F10 Fresh On Demand

Updated 20/04/2017

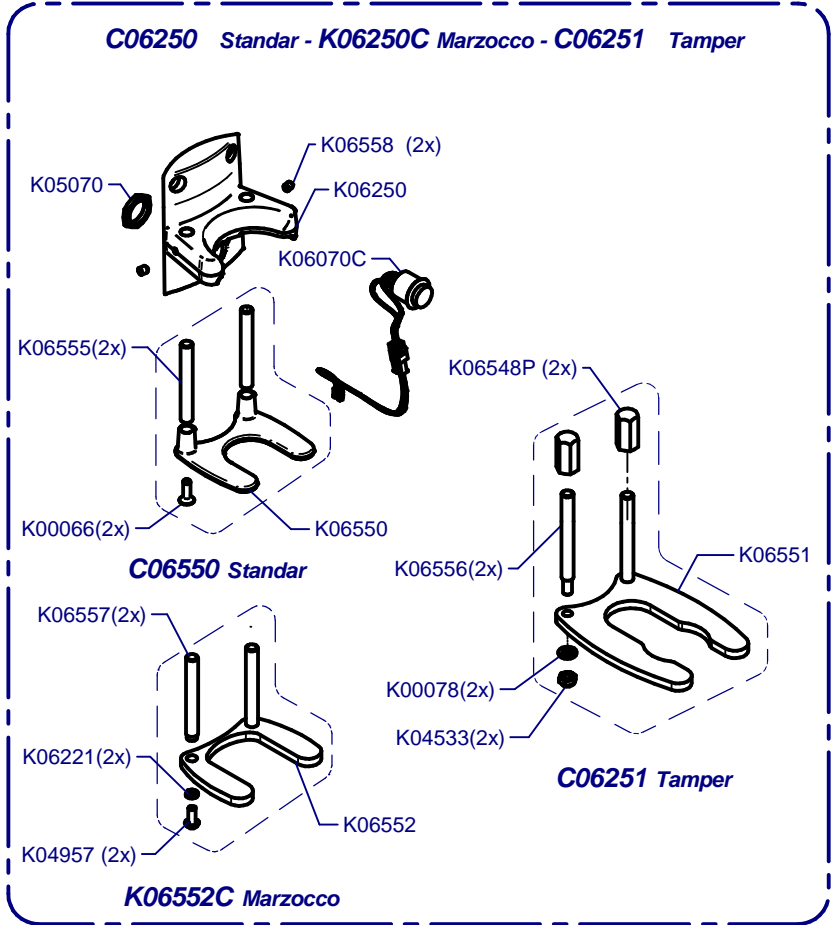


K00133	K01330	K00424
CEE	CEE SGS	SUIZA
K03369	K00367	K00113
AUST	UK	USA

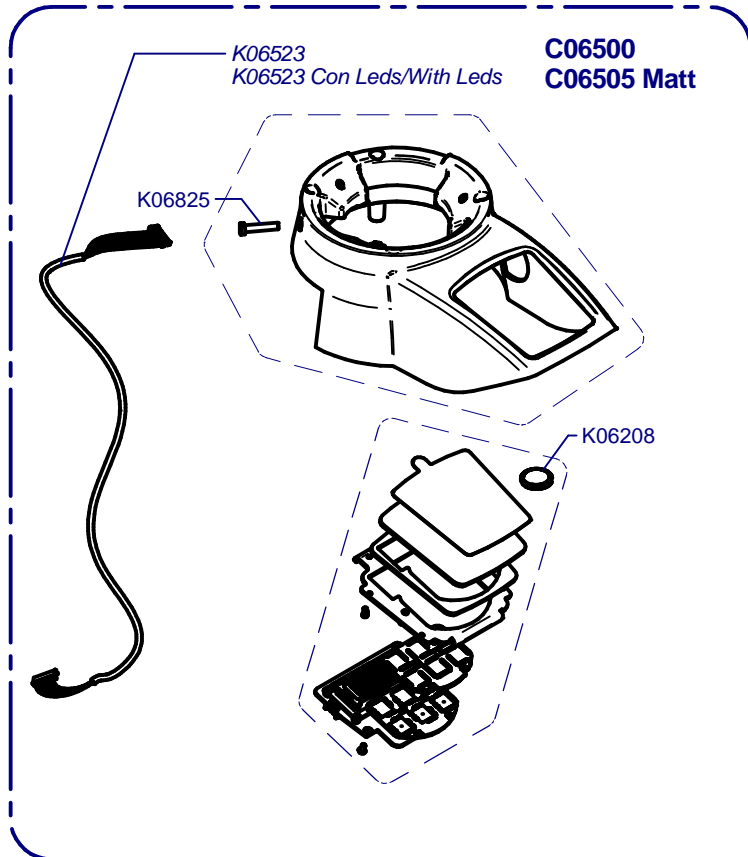
Tolva / Hopper



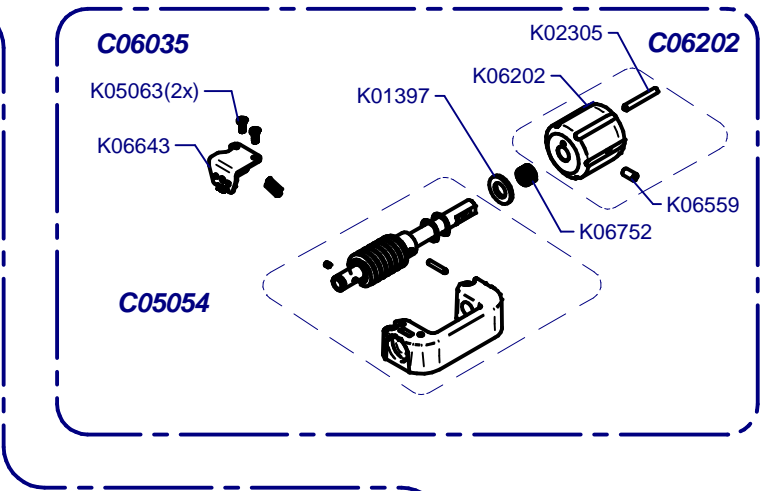
Horquilla / Fork



Cover / Cover



Regulador / Regulator



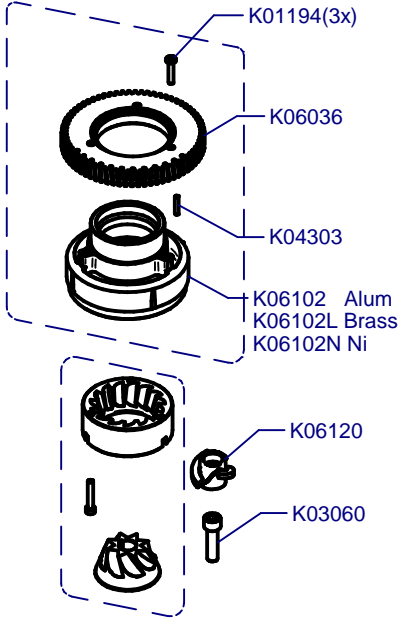
C06004O 1-2 50Hz Compak
C06015O 1-2 60Hz Compak
C06004V 1-2-3 50Hz Compak
C06015V 1-2-3 60Hz Compak

Molienda / Grind

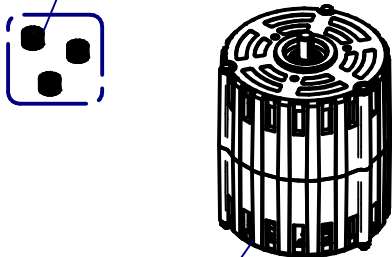
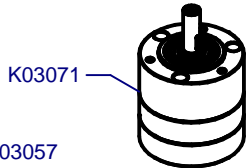
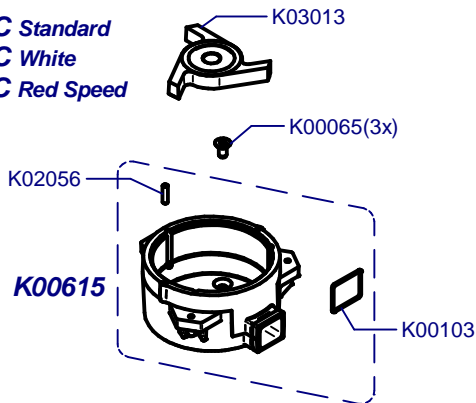
C00620 Aluminium

C00625 Brass

C00620N Niquel



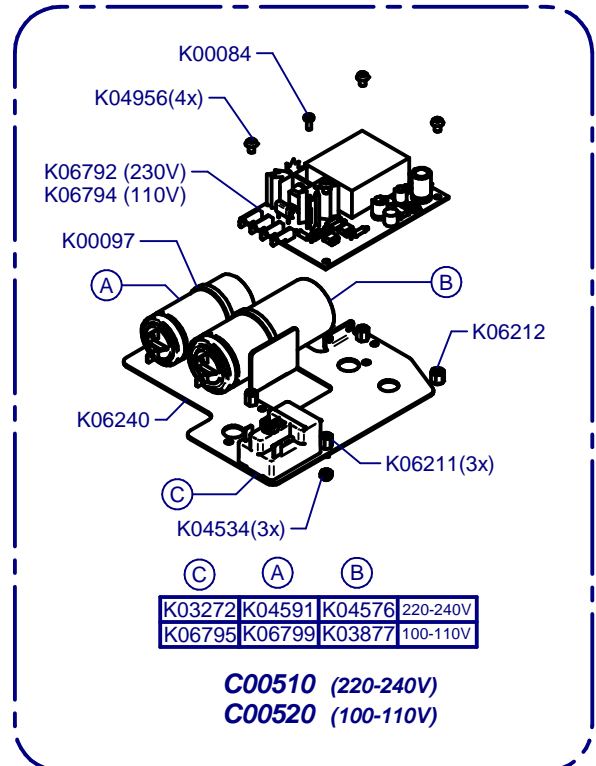
K03078C Standard
K03412C White
K03178C Red Speed



K03772	220-240V
K03776	110V

C00633 = C00620 + K00615 Alum
C00632 = C00625 + K00615 Bras
C00633N = C00620N + K00615 Ni

Placa Base / Mother Board



(C)	(A)	(B)	
K03272	K04591	K04576	220-240V
K06795	K06799	K03877	100-110V

C00510 (220-240V)
C00520 (100-110V)

Prensa Regulable / Adjustable Tamper

C06756 Ø53 Right
C06757 Ø53 Left
C06758 Ø54 Right
C06759 Ø54 Left
C06760 Ø57 Right
C06761 Ø57 Left

