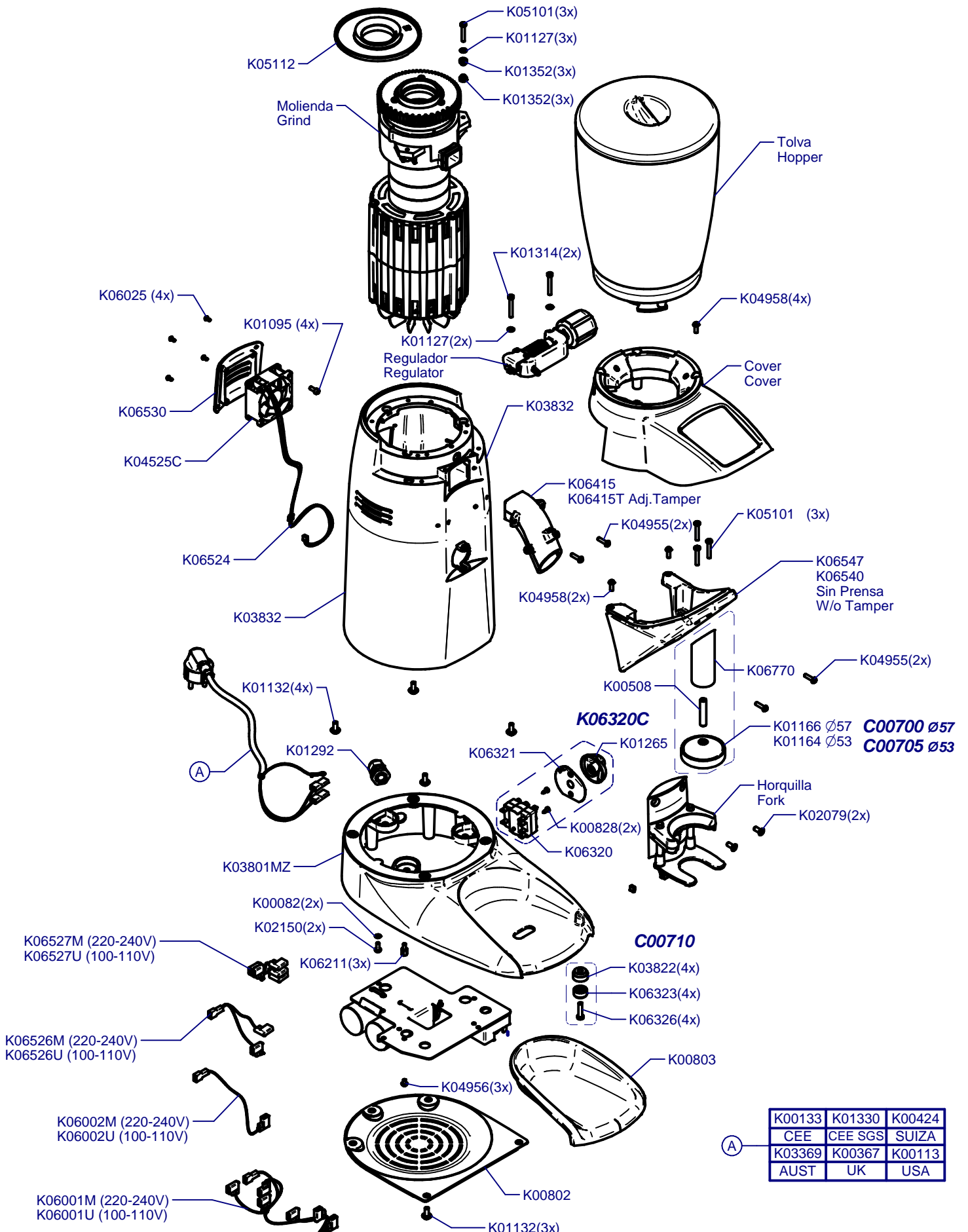


F10 Fresh Master Conic On Demand

Updated 27/07/2017



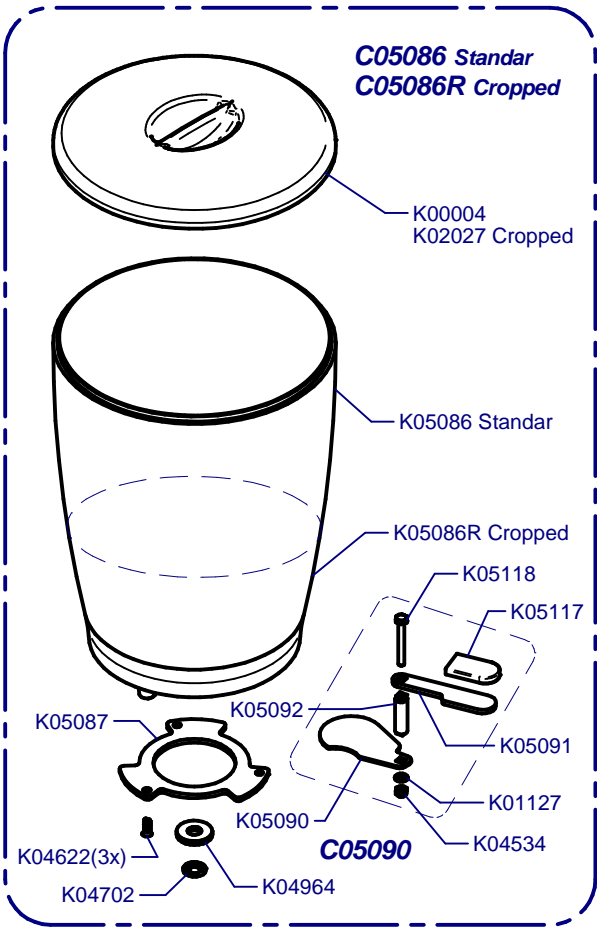
K00133	K01330	K00424
CEE	CEE SGS	SUIZA
K03369	K00367	K00113
AUST	UK	USA

A

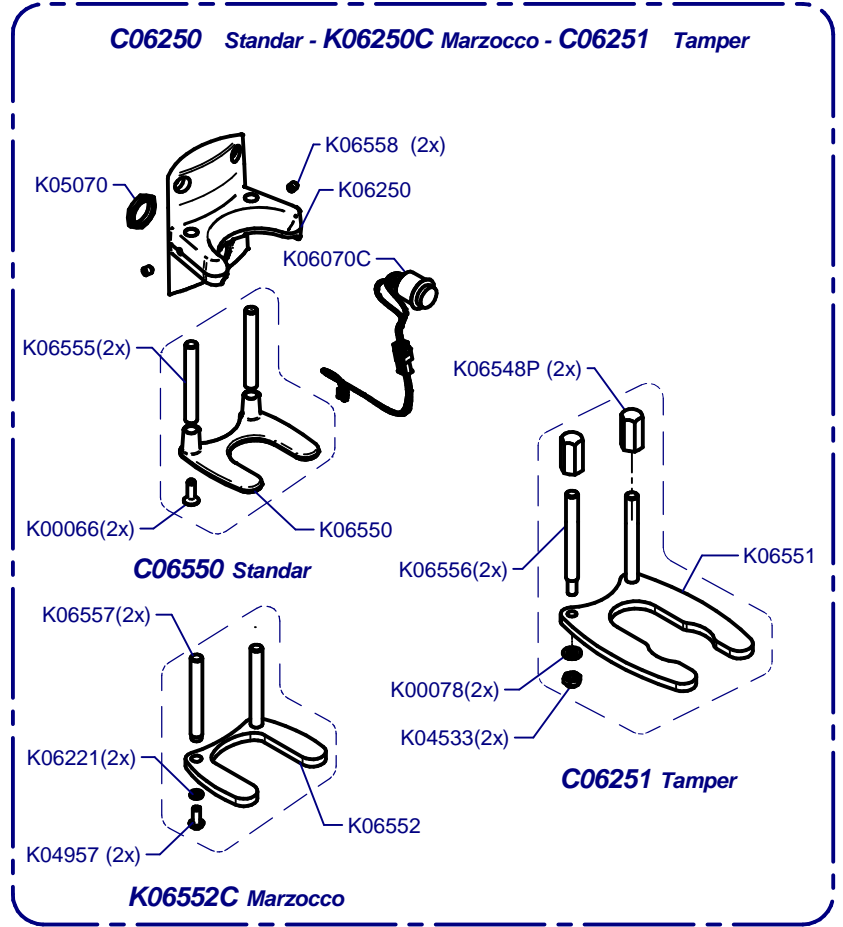
F10 Fresh Master Conic On Demand

Updated 27/07/2017

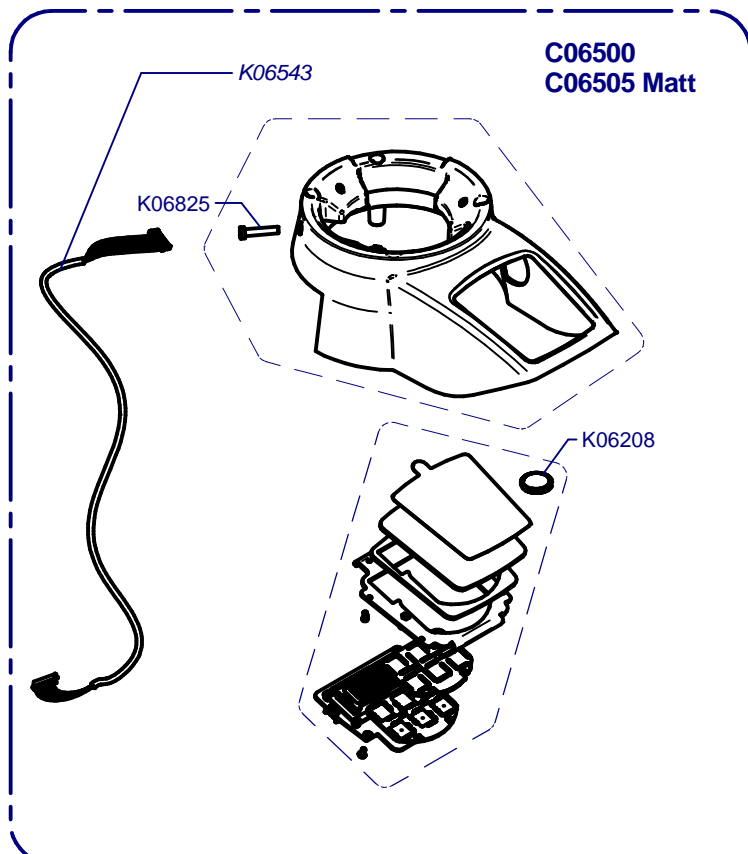
Tolva / Hopper



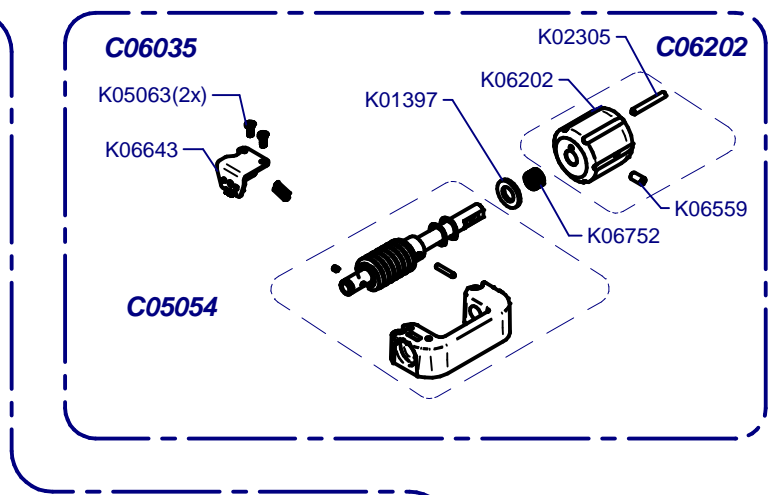
Horquilla / Fork



Cover / Cover



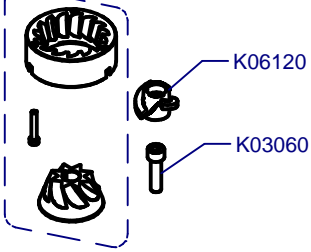
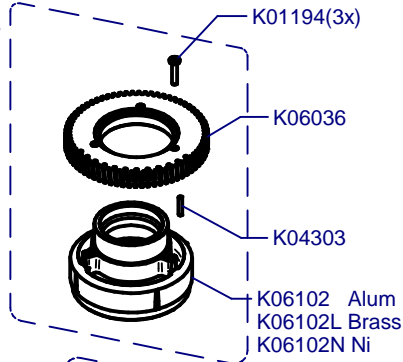
Regulador / Regulator



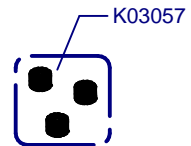
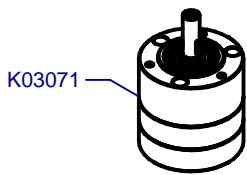
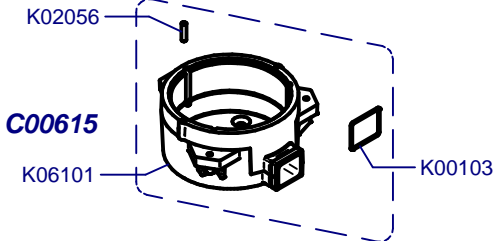
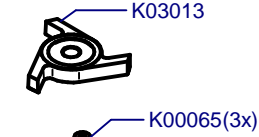
- C06004O** 1-2 50Hz Compak
- C06015O** 1-2 60Hz Compak
- C06004V** 1-2-3 50Hz Compak
- C06015V** 1-2-3 60Hz Compak

Molienda / Grind

C00620 Aluminium
C00625 Brass
C00620N Niquel



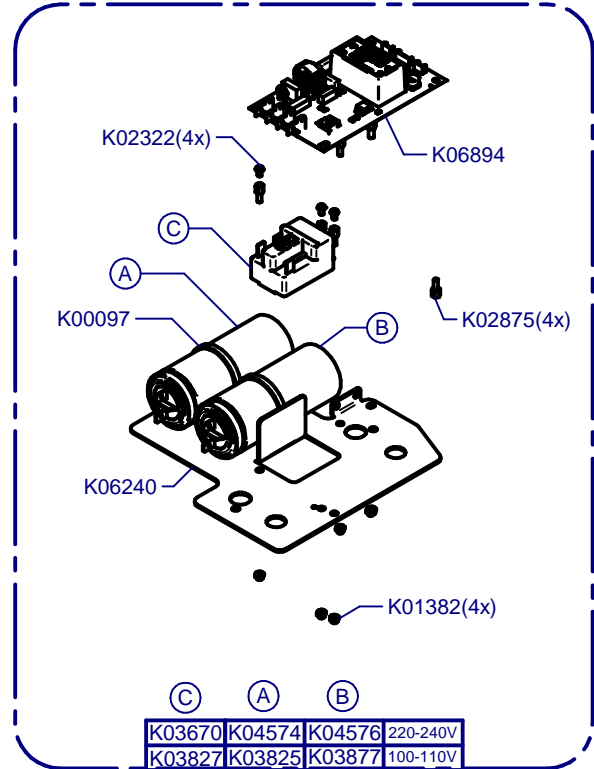
K03178C Red Speed
K03078C Standard



K03815 (100/110V)
K03817 (220/240V)
K03818 (208/400V)

C00633 = C00620 + C00615 Alum
C00632 = C00625 + C00615 Bras
C00633N = C00620N + C00615 Ni

Placa Base / Mother Board



C00530 (220-240V)
C00535 (100-110V)

Prensa Regulable / Adjustable Tamper

C06756 Ø53 Right
C06757 Ø53 Left
C06758 Ø54 Right
C06759 Ø54 Left
C06760 Ø57 Right
C06761 Ø57 Left

