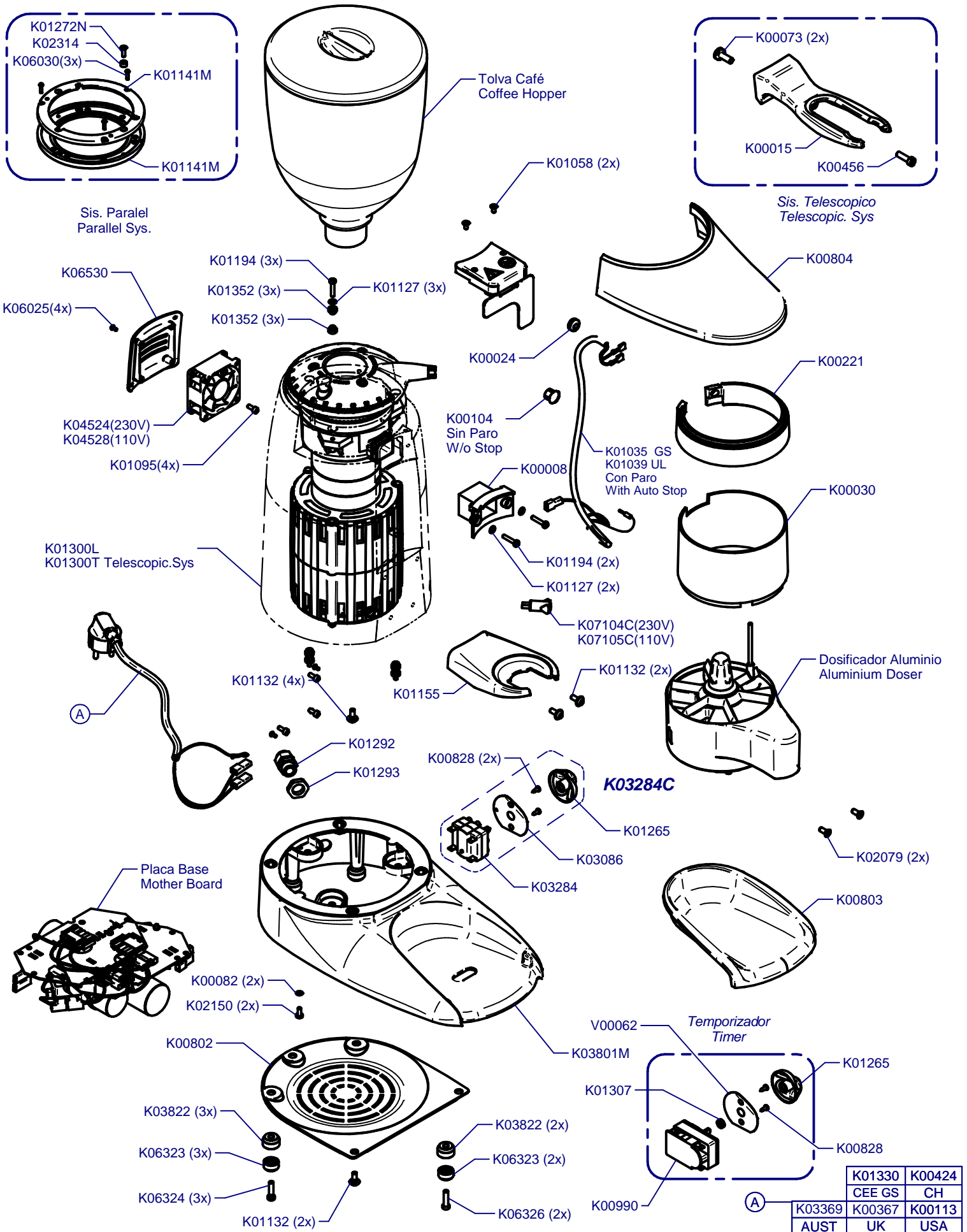


K10 Conic Traditional

Updated 18/05/2017

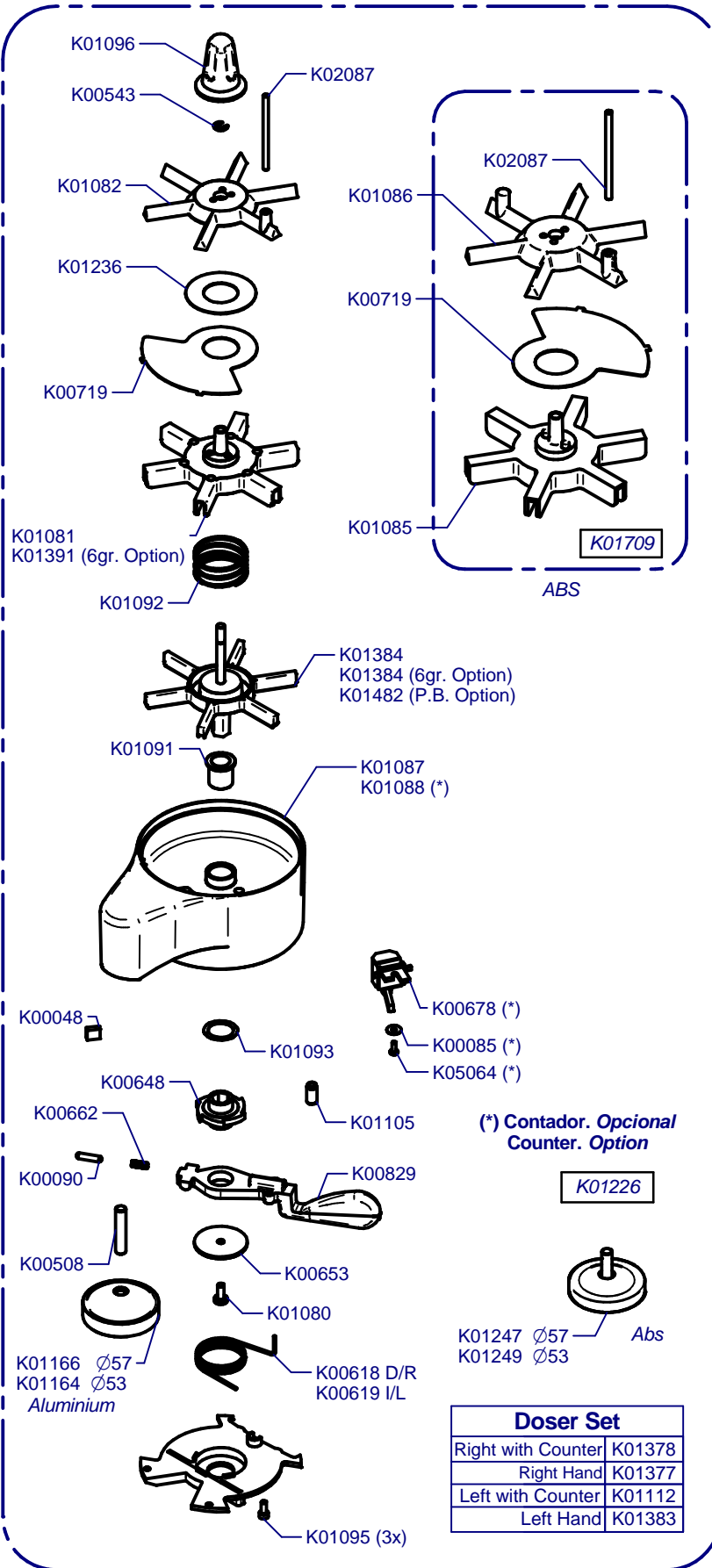


K01330	K00424
CEE GS	CH
K03369	K00367
AUST	UK
	K00113
	USA

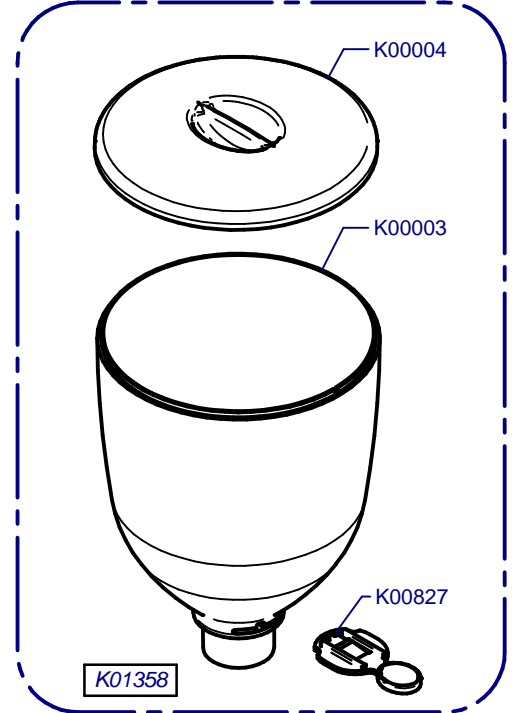
K10 Conic Traditional

Updated 18/05/2017

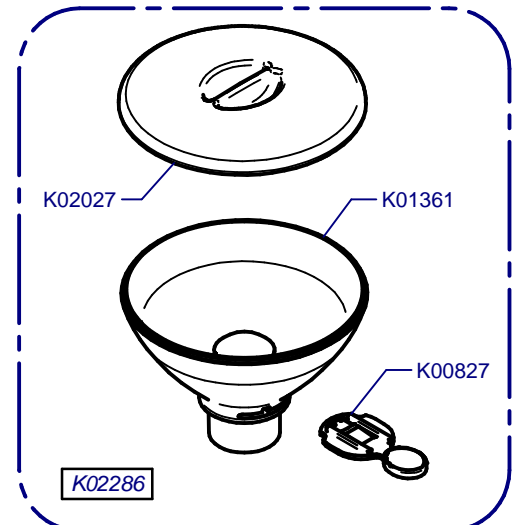
Dosificador Aluminio/ Aluminium Doser



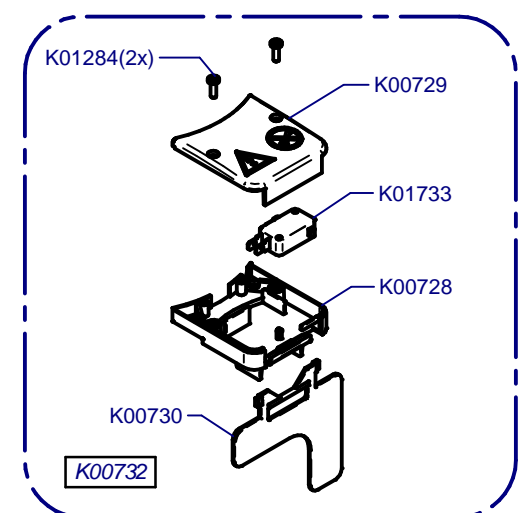
Tolva Café / Coffee Hopper



Tolva Café 275gr / Coffee Hopper 275gr



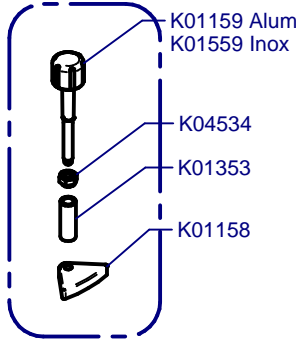
Paro Automático / Auto Stop



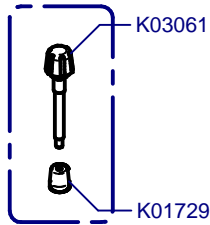
K10 Conic Traditional

Updated 18/05/2017

Molienda / Grind



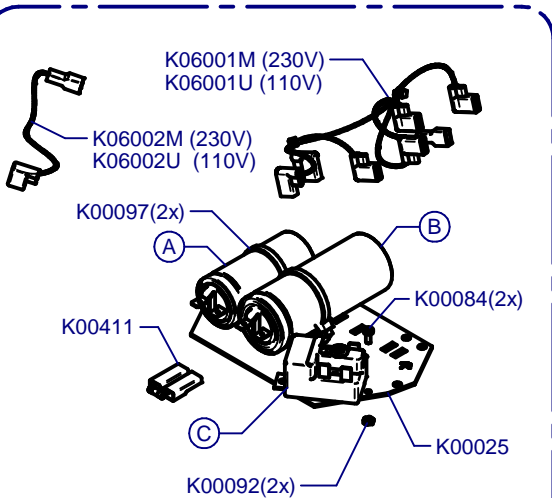
Sis. Paralel
Parallel Sys.



Sis. Micrometrico
Micrometric Sys.

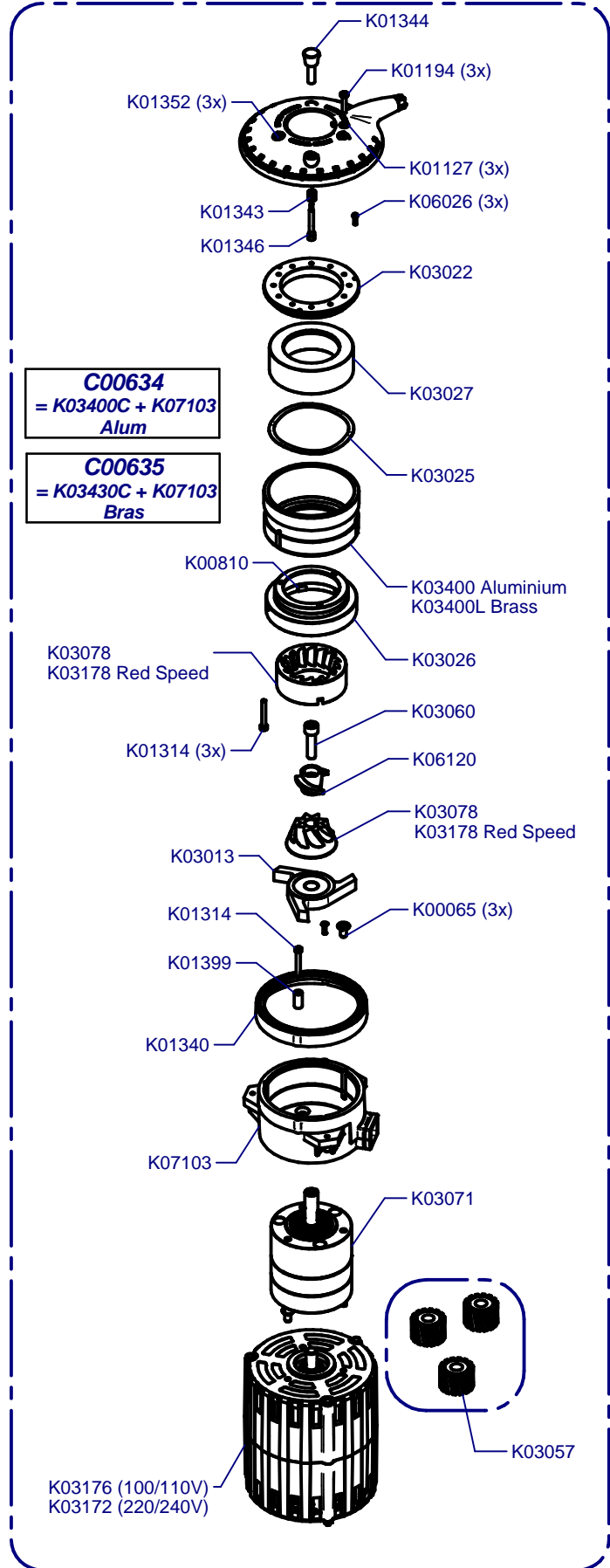
(*) **Sis. Punto a Punto**
Stepped Sys.

Placa Base / Mother Board



C	
K00496	230-240V
K00488	220V
K03175	110V
K03824	100V

A		B	
K05108	K04574	230-240V	
K05108	K04574	220V	
K03174	K03878	110V	
K03825	K03877	100V	



C00634
= K03400C + K07103
Alum

C00635
= K03430C + K07103
Bras