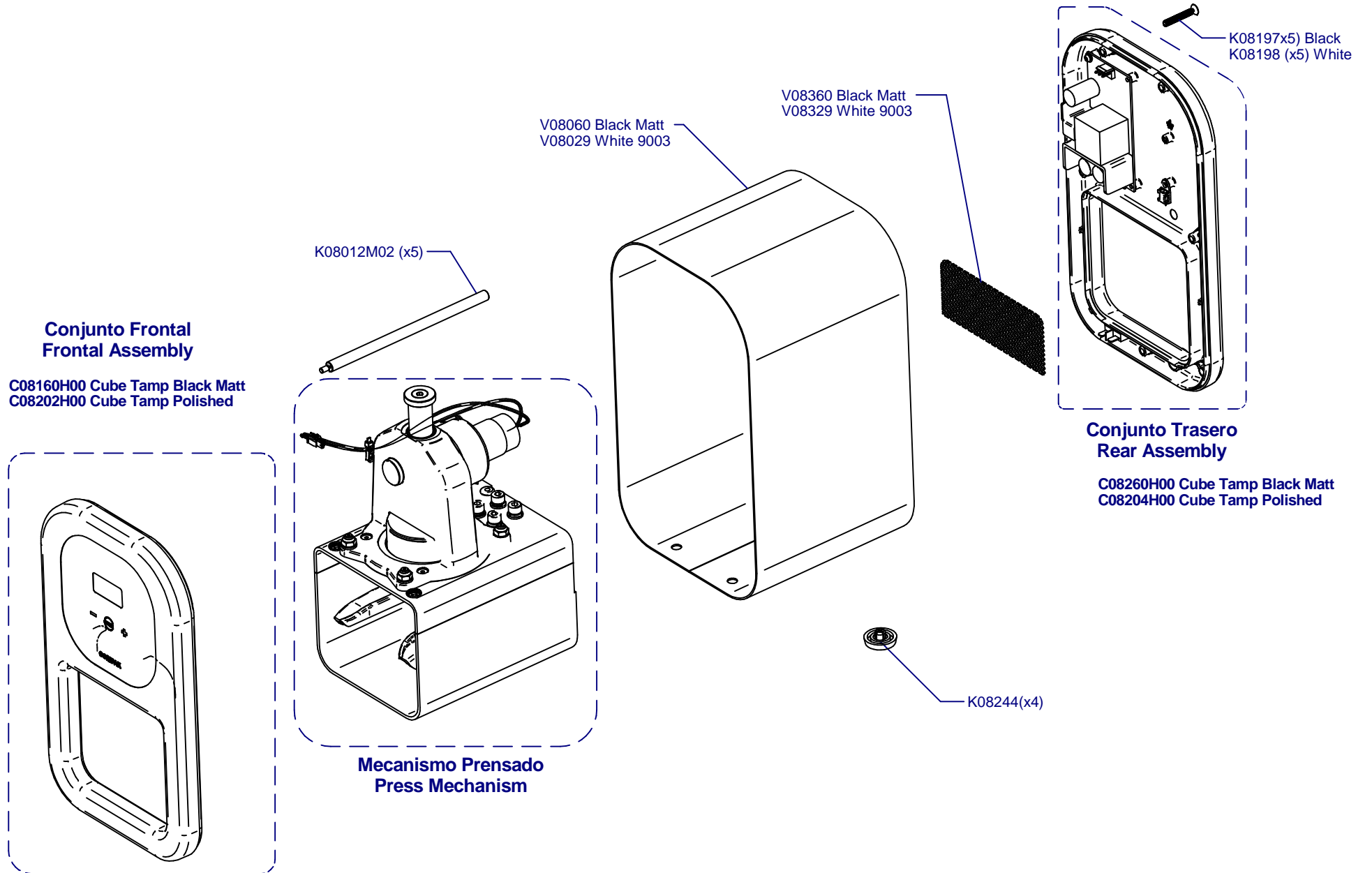


Cube Tamp



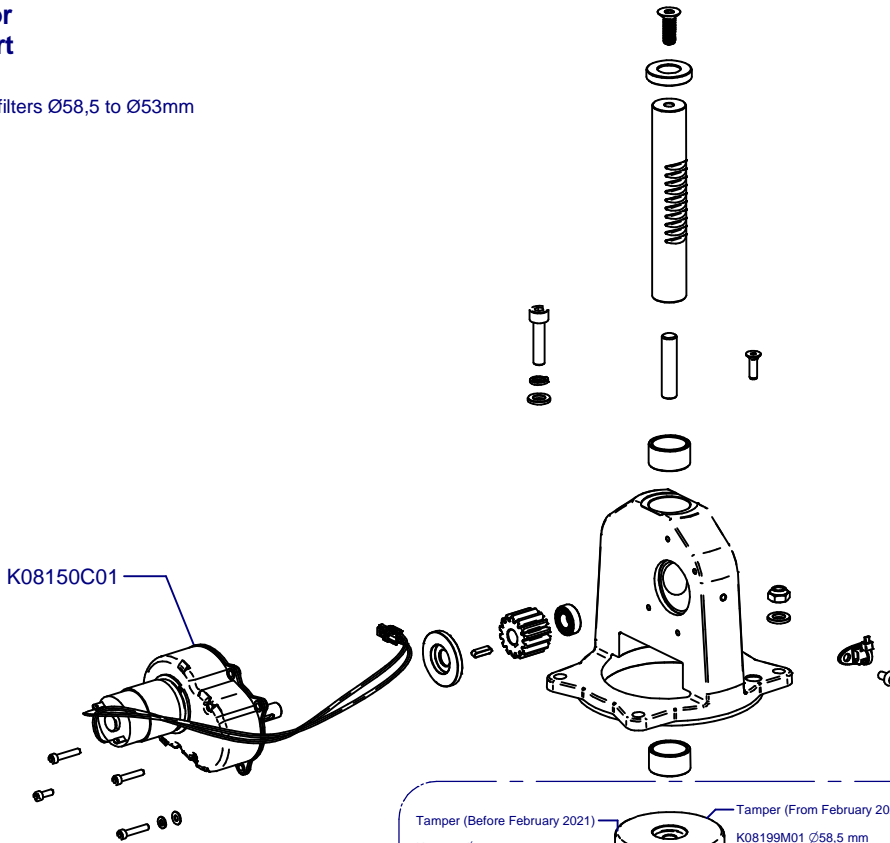
Cube Tamp

Updated 07/10/2021

**Mecanismo Prensado
Press Mechanism**

**Soporte Motor
Motor Support**

C08110H02 Porta filters Ø58,5 to Ø53mm



Tamper (Before February 2021)

- K08199 Ø58,5 mm
- K08129 Ø58,3 mm
- K08128 Ø58 mm
- K08186 Ø57 mm
- K08181 Ø54,5 mm
- K08172 Ø54 mm
- K08145 Ø53 mm

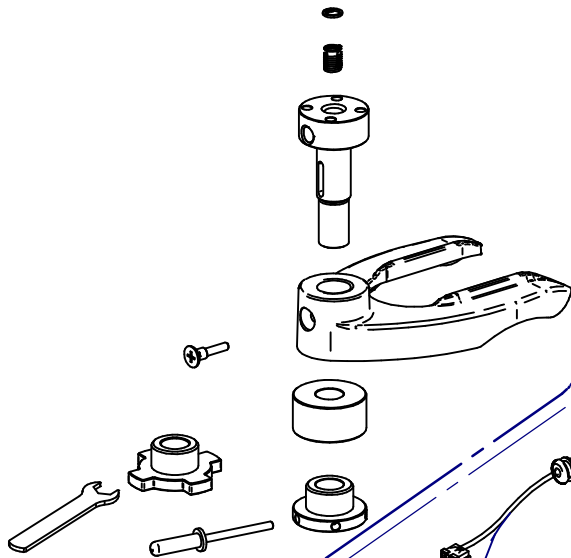
Tamper (From February 2021)

- K08199M01 Ø58,5 mm
- K08129M01 Ø58,3 mm
- K08128M01 Ø58 mm
- K08186M01 Ø57 mm
- K08181M01 Ø54,5 mm
- K08172M01 Ø54 mm
- K08145M01 Ø53 mm

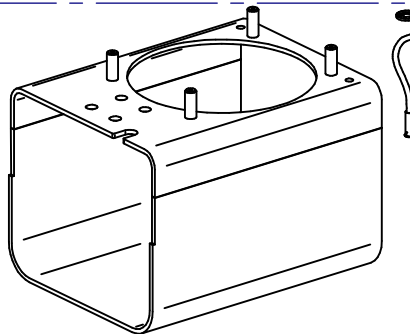
Tamper (From October 2021)

- C08199H02 Ø58,5 mm
- C08129H02 Ø58,3 mm
- C08128H02 Ø58 mm
- C08186H02 Ø57 mm
- C08181H02 Ø54,5 mm
- C08172H02 Ø54 mm
- C08145H02 Ø53 mm

C08210H03 Fork Support/ Soporte Horquilla
C08188H01 UL Fork Support/ UL Soporte Horquilla



K08157C



**Soporte interior Mecanismo
Inner Mechanism Support**

- C08212N03** Black Matt
- C08212B03** White
- C08213C00** Polished

**Soporte Portafiltros
Porta Filter Support**

- C08116H01** Porta filters Ø58,5-57mm
- C08162H01** Porta filters Ø54,5-54mm
- C08117H02** Porta filters Ø53mm
- C08116D00** Porta filters Ø58,5-57mm

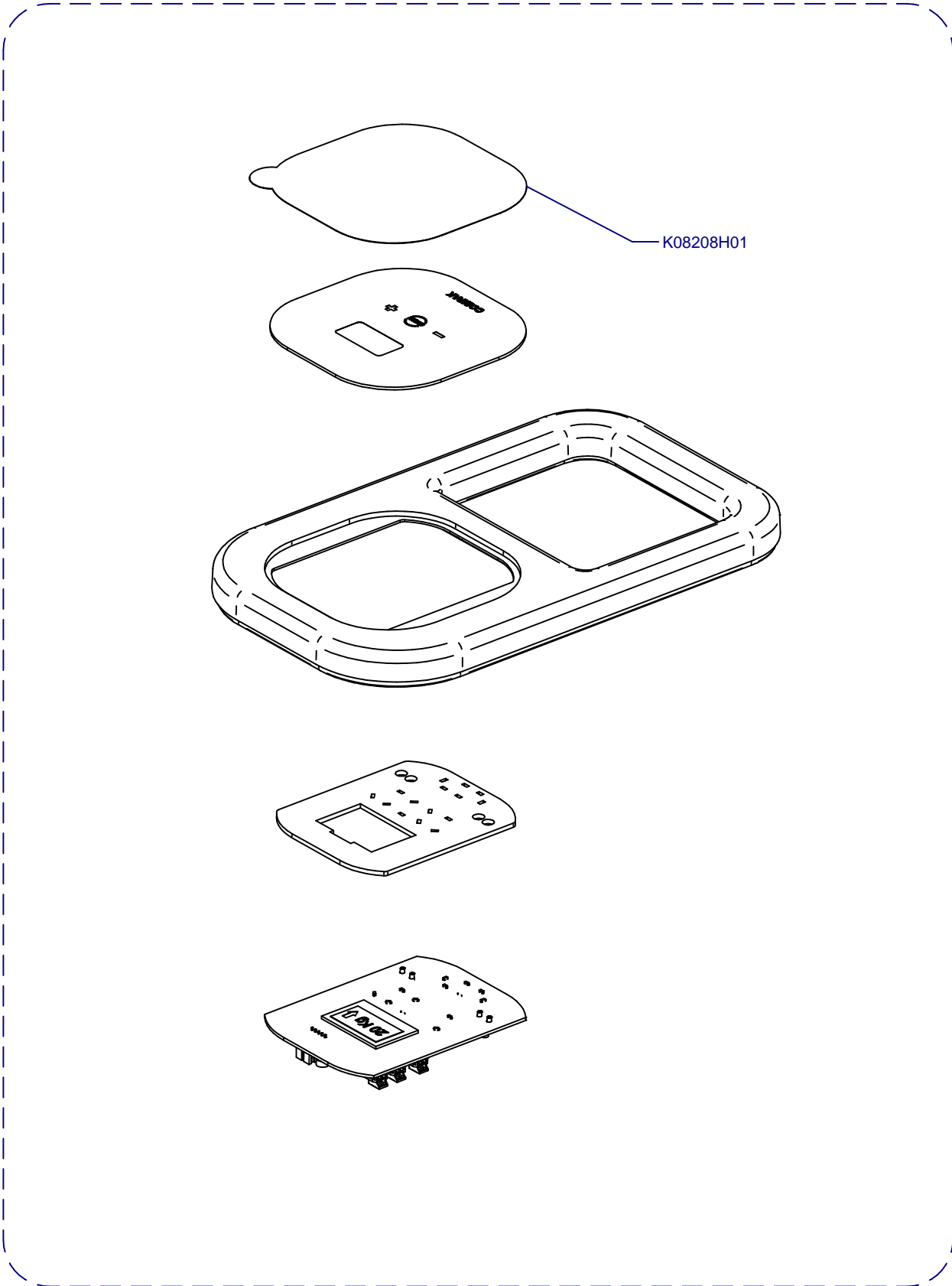
K08112

Cube Tamp

Updated 07/10/2021

**Conjunto Frontal
Frontal Assembly**

**C08160H00 Cube Tamp Black Matt
C08202H00 Cube Tamp Polished**

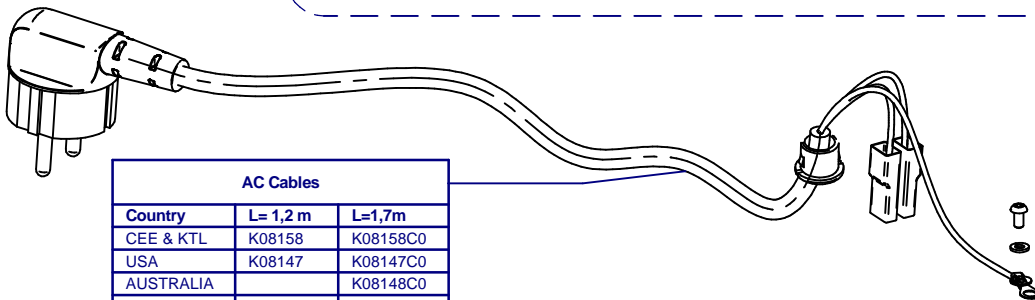
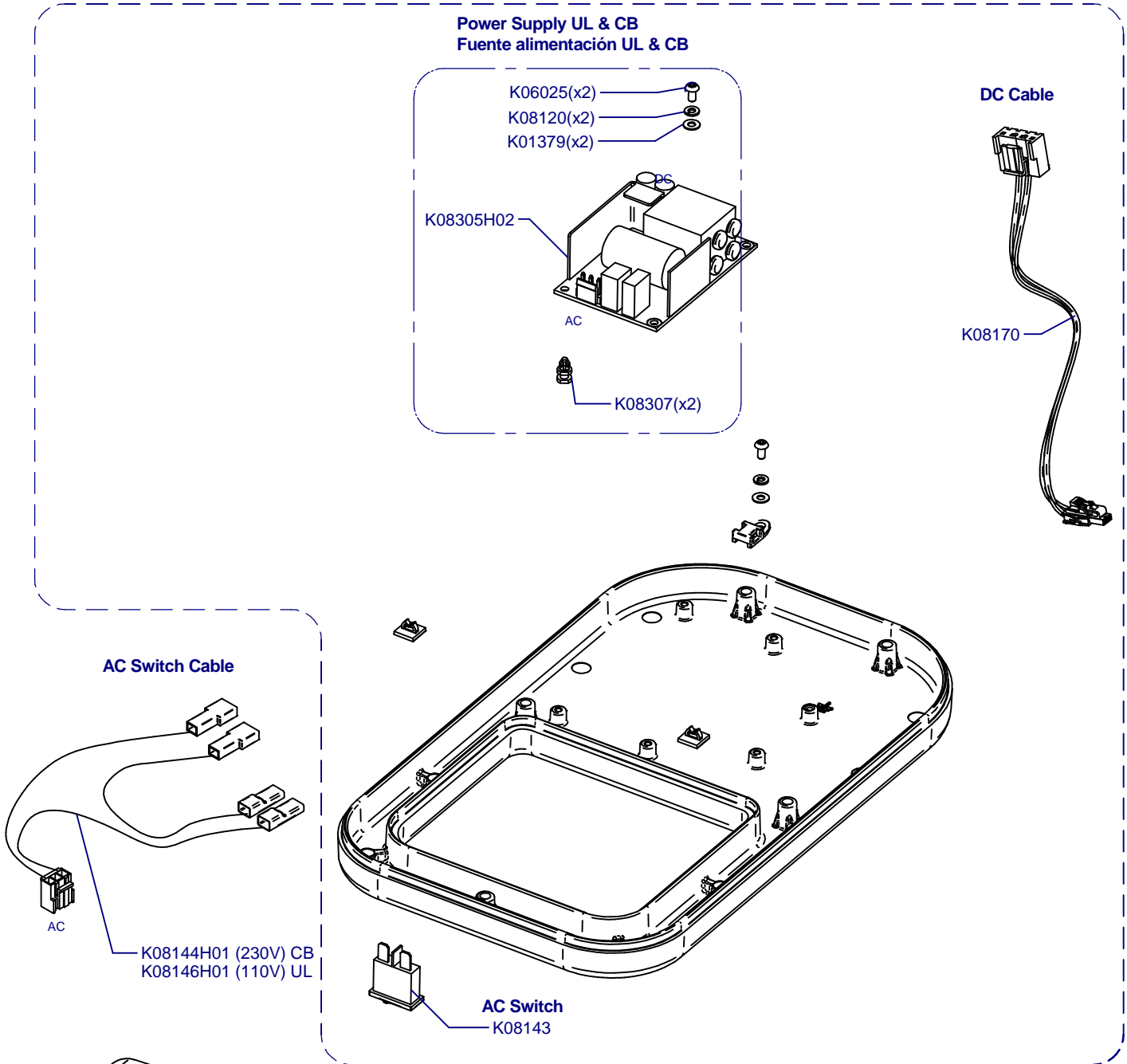


Cube Tamp

Updated 07/10/2021

**Conjunto Trasero
Rear Assembly**

**C08260H00 Cube Tamp Black Matt
C08204H00 Cube Tamp Polished**



AC Cables		
Country	L= 1,2 m	L=1,7m
CEE & KTL	K08158	K08158C0
USA	K08147	K08147C0
AUSTRALIA		K08148C0
UK	K08149	K08149C0
SUIZA	K08151	K08151C0
ISRAEL		K08153C0
ARGENTINA	K08167C0	
TAIWAN	K08168C0	
CHINA	K08180C0	