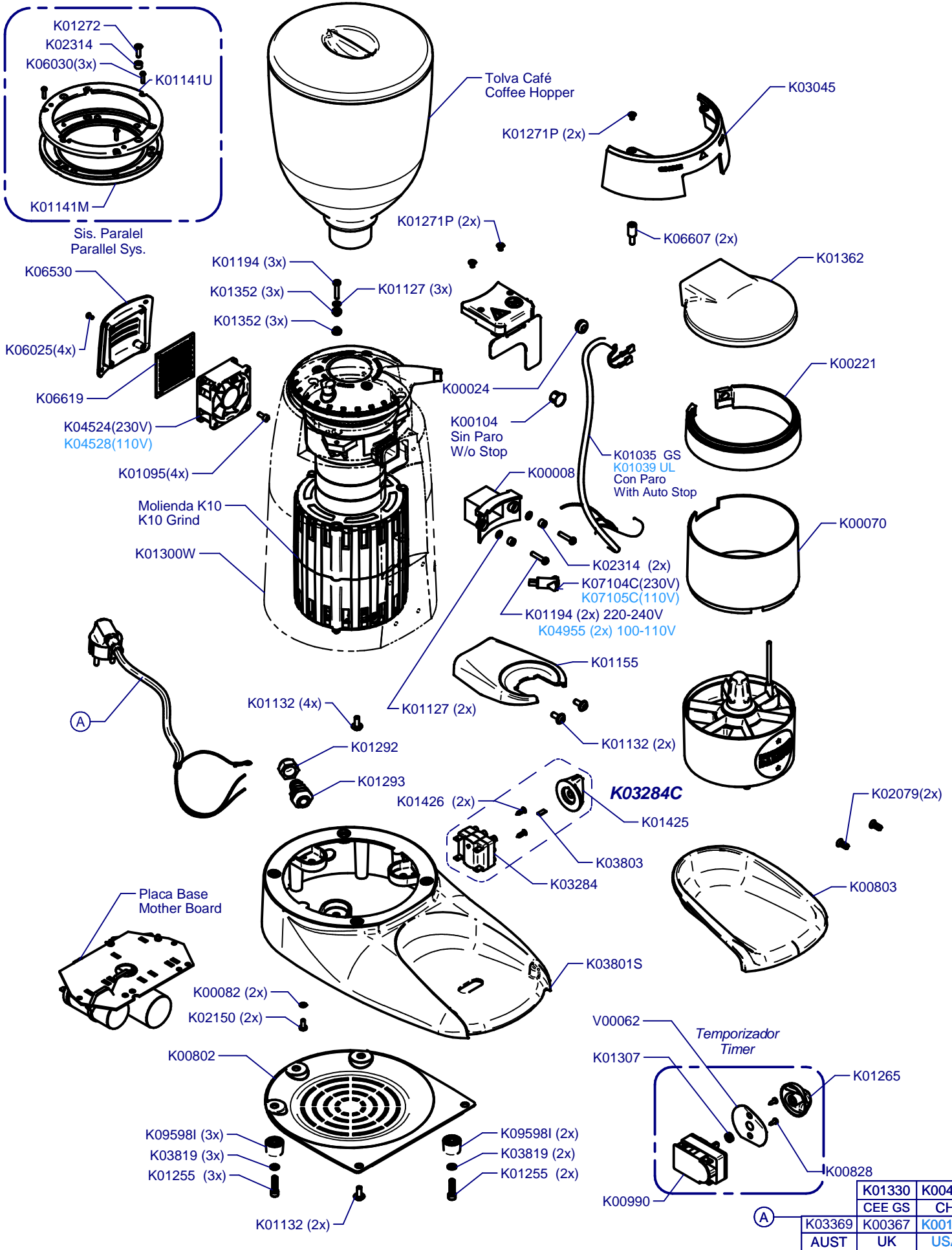


**K10 Conic Professional Barista**

Updated 19/04/2022

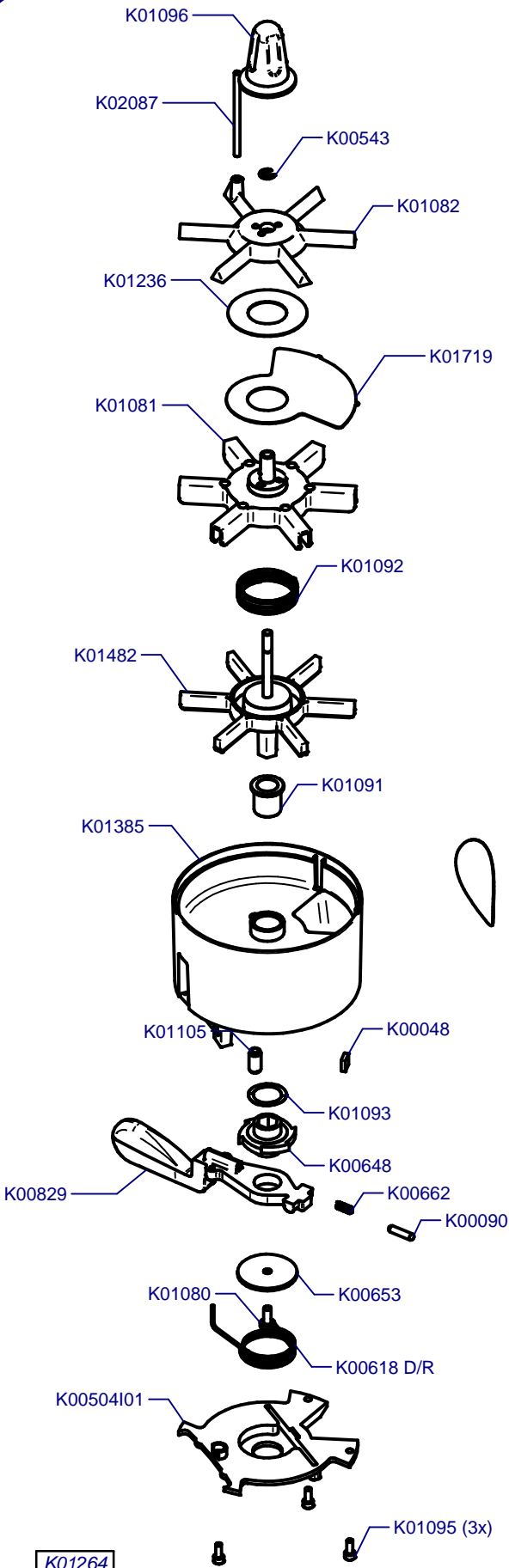


	K01330	K00424
	CEE GS	CH
(A)	K03369	K00367
	AUST	UK
		<b>K00113</b>
		USA

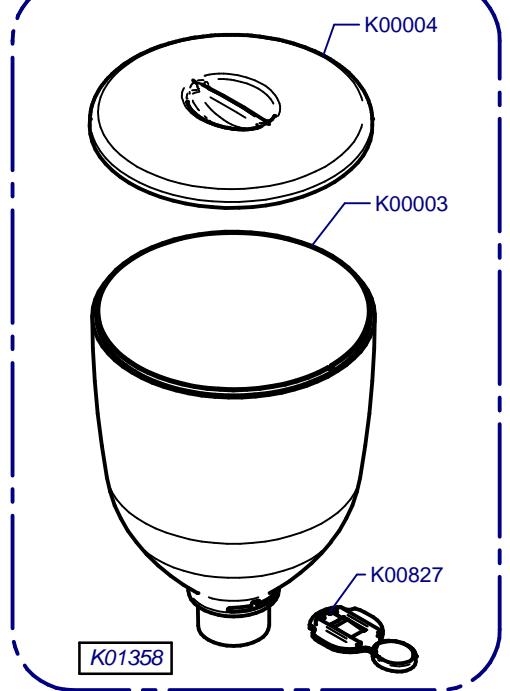
**K10 Conic Professional Barista**

Updated 19/04/2022

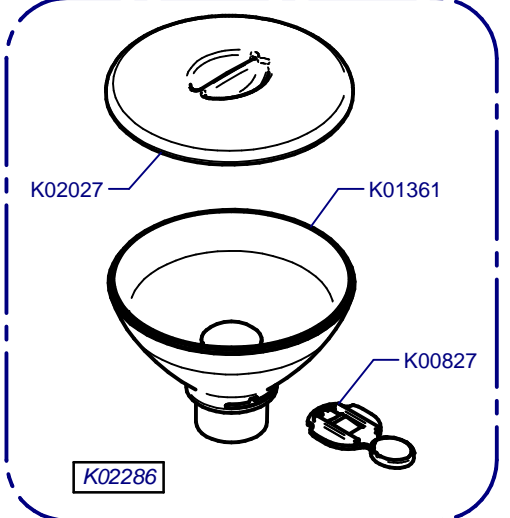
**Dosificador Aluminio/ Aluminium Doser**



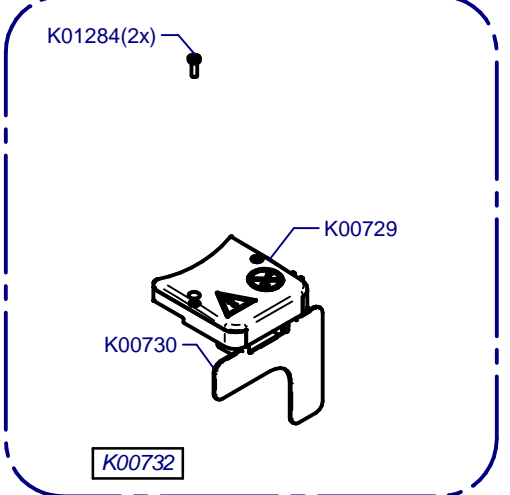
**Tolva Café / Coffee Hopper**

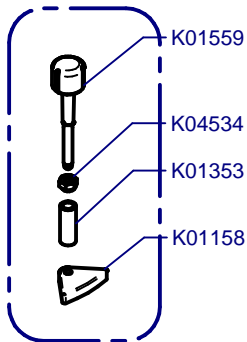


**Tolva Café 275gr / Coffee Hopper 275gr**

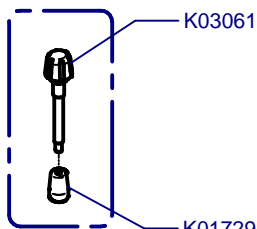


**Paro Automático / Auto Stop**





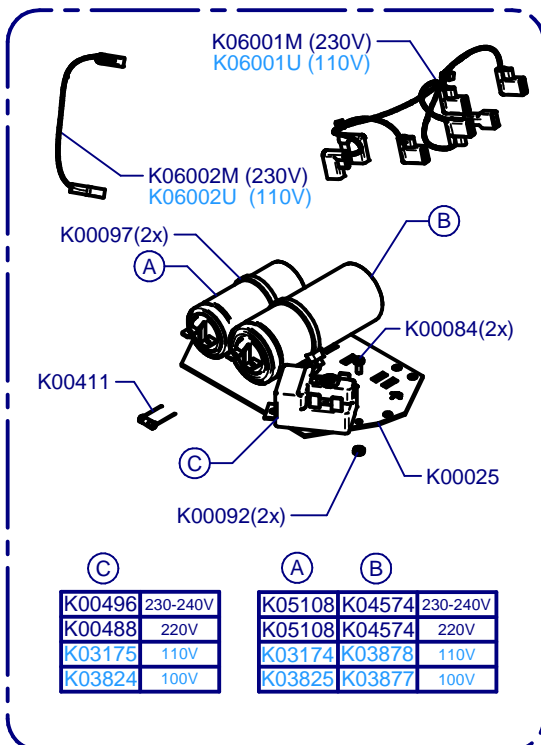
**Sis. Paralel**  
Parallel Sys.



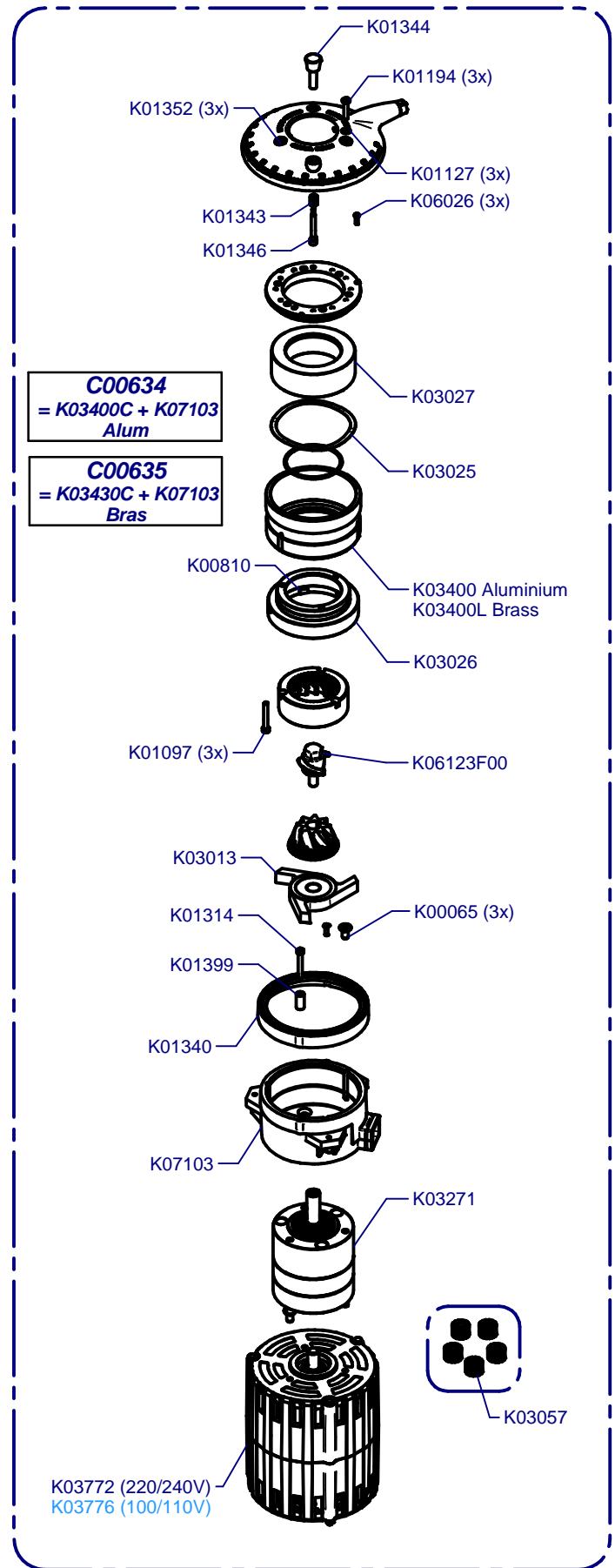
**Sis. Micrometrico**  
Micrometric Sys.

(\*) **Sis. Punto a Punto**  
Stepped Sys.

**Placa Base / Mother Board**



**Molienda / Grind**



K03772 (220/240V)  
K03776 (100/110V)